



# MVE-Exd EXPLOSION-PROOF



## 2 POLES - 3000/3600 rpm

Wm (kgcm)		Model		Centrifugal Force (kg)		Weight (kg)	
50Hz	60Hz	50Hz	60Hz	50Hz	60Hz	50Hz	60Hz
15.7	11.1	MVE 800/3D-50A0	MVE 800/36D-50A0	794	800	40	
26.6	18.6	MVE 1300/3D-50A0	MVE 1300/36D-50A0	1,355	1,365	41	
31.3	22.2	MVE 1600/3D-60A0	MVE 1600/36D-60A0	1,601	1,608	63	62
36.8	27.6	MVE 2000/3D-60A0	MVE 2000/36D-60A0	2,027	1,997	64	63
46.0	31.9	MVE 2300/3D-60A0	MVE 2300/36D-60A0	2,302	2,306	65	63
68.1	43.9	MVE 3200/3D-75A0	MVE 3200/36D-75A0	3,252	3,176	105	103
79.4	56.0	MVE 4000/3D-75A0	MVE 4000/36D-75A0	4,033	4,052	108	104

ELECTRICAL SPECIFICATIONS									
Input Power (kW)		Nominal Current A max. (Y)		Ia / In		Cable Gland			
50Hz	60Hz	50Hz (400V)	60Hz (460V)	50Hz	60Hz	Metric			
0.75	0.90	1.45	1.50	3.8	3.8	3/4" NPT 110 °C			
1.10	1.10	2.00	2.75	5.2	5.0	3/4" NPT 110 °C			
1.57	1.60	2.94	2.61	5.9	6.2	3/4" NPT 110 °C			
1.25	1.40	3.20	2.80	6.5	6.4	3/4" NPT 110 °C			
1.25	1.40	3.20	2.80	6.0	6.3	3/4" NPT 110 °C			
3.00	3.00	5.20	4.60	8.3	8.2	3/4" NPT 110 °C			
3.00	3.00	5.20	4.60	8.5	9.7	3/4" NPT 110 °C			

## 4 POLES - 1500/1800 rpm

Wm (kgcm)		Model		Centrifugal Force (kg)		Weight (kg)	
50Hz	60Hz	50Hz	60Hz	50Hz	60Hz	50Hz	60Hz
56.8	39.4	MVE 700/15D-50A0	MVE 700/18D-50A0	714	712	45	
88.7	56.8	MVE 1100/15D-50A0	MVE 1100/18D-50A0	1,114	1,028	52	45
108.6	76.7	MVE 1400/15D-60A0	MVE 1400/18D-60A0	1,364	1,388	73	70
137.3	92.0	MVE 1700/15D-60A0	MVE 1700/18D-60A0	1,725	1,664	76	61
187.7	137.4	MVE 2400/15D-60A0	MVE 2400/18D-60A0	2,358	2,485	78	72
203.5	135.6	MVE 2500/15D-70A0	MVE 2500/18D-70A0	2,557	2,454	99	93
248.7	169.8	MVE 3000/15D-70A0	MVE 3000/18D-70A0	3,124	3,071	105	97
306.7	204.7	MVE 3800/15D-75A0	MVE 3800/18D-75A0	3,853	3,704	136	125
193.0	193.0	MVE 3811/15D-75A0	MVE 3811/18D-75A0	2,425	3,492	136	125
343.2	240.9	MVE 4300/15D-75A0	MVE 4300/18D-75A0	4,312	4,359	140	130
437.4	303.7	MVE 5500/15D-80A0	MVE 5500/18D-80A0	5,495	5,495	193	183

ELECTRICAL SPECIFICATIONS									
Input Power (kW)		Nominal Current A max. (Y)		Ia/In		Cable Gland			
50Hz	60Hz	50Hz (400V)	60Hz (460V)	50Hz	60Hz	Metric			
0.55	0.66	1.00	1.00	3.0	3.2	3/4" NPT 110 °C			
0.60	0.68	1.27	1.50	3.8	3.8	3/4" NPT 110 °C			
0.75	1.00	1.67	1.80	4.0	4.0	3/4" NPT 110 °C			
1.00	1.20	1.95	2.00	4.7	4.5	3/4" NPT 110 °C			
1.25	1.40	2.80	2.70	4.9	4.9	3/4" NPT 110 °C			
1.50	1.60	2.70	2.60	6.0	6.1	3/4" NPT 110 °C			
1.65	1.90	2.80	2.70	6.5	6.6	3/4" NPT 110 °C			
2.30	2.25	4.10	3.96	6.8	6.8	3/4" NPT 110 °C			
2.30	2.25	4.10	3.96	6.8	6.8	3/4" NPT 110 °C			
2.40	2.60	4.30	4.10	7.0	7.2	3/4" NPT 110 °C			
3.10	3.10	5.70	5.30	7.1	7.0	3/4" NPT 110 °C			

SIZE 50A0



**UP TO SIZE 50 (INCLUDED)**  
60Hz masses = 50Hz masses adjusted at 70%  
Except for model MVE 1100/15D - 1100/18D

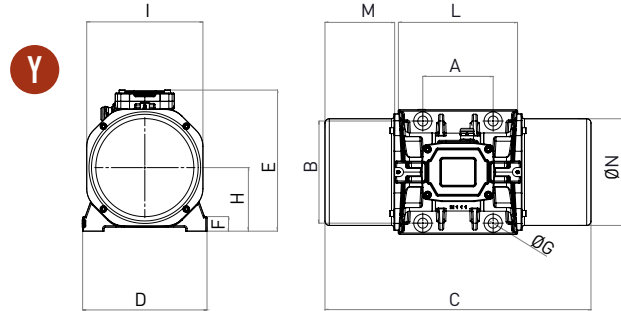
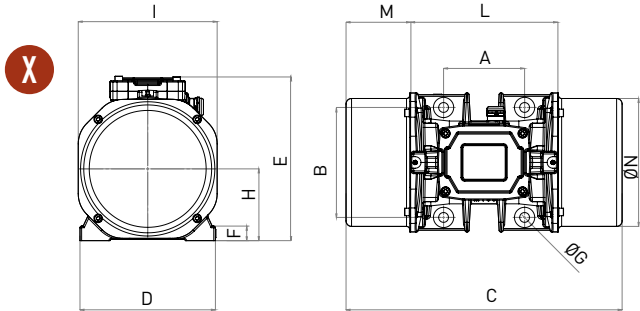


**ABOVE SIZE 50 (NOT INCLUDED)**  
Specific masses for 60Hz

To convert kg into Newton:  $N = 9.81 \cdot kg$



- » II 2G Ex db IIB T3
- » Compliance with Essential Health and Safety Requirements
- » IEC EN 60079-0, IEC EN 60079-31, IEC EN 60079-1



Model		Drawing	Size	DIMENSIONAL SPECIFICATIONS (MM)														
50Hz	60Hz			C		M		A	B	Ø G	Holes	D	E	F	H	I	L	N
				50Hz	60Hz	n°												
MVE 800/3D-50A0	MVE 800/36D-50A0	X	50A0	332	63	120	170	17	4	209	251	27	103	185	205	165		
MVE 1300/3D-50A0	MVE 1300/36D-50A0	X	50A0	332	63	120	170	17	4	209	251	27	103	185	205	165		
MVE 1600/3D-60A0	MVE 1600/36D-60A0	X	60A0	477	111	140	190	17	4	234	283	25	124	240	254	221		
MVE 2000/3D-60A0	MVE 2000/36D-60A0	X	60A0	477	111	140	190	17	4	234	283	25	124	240	254	221		
MVE 2300/3D-60A0	MVE 2300/36D-60A0	X	60A0	477	111	140	190	17	4	234	283	25	124	240	254	221		
MVE 3200/3D-75A0	MVE 3200/36D-75A0	Y	75A0	540	118	155	255	23.5	4	302	330	30	150	280	304	265		
MVE 4000/3D-75A0	MVE 4000/36D-75A0	Y	75A0	554	125	155	255	23.5	4	302	330	30	150	280	304	265		

Model		Drawing	Size	DIMENSIONAL SPECIFICATIONS (MM)														
50Hz	60Hz			C		M		A	B	Ø G	Holes	D	E	F	H	I	L	N
				50Hz	60Hz	50Hz	60Hz				n°							
MVE 700/15D-50A0	MVE 700/18D-50A0	X	50A0	396	95	120	170	17	4	209	251	27	103	185	205	165		
MVE 1100/15D-50A0	MVE 1100/18D-50A0	X	50A0	466	396	130	95	120	170	17	4	209	251	27	103	185	205	165
MVE 1400/15D-60A0	MVE 1400/18D-60A0	X	60A0	477	111	140	190	17	4	234	283	25	124	240	254	221		
MVE 1700/15D-60A0	MVE 1700/18D-60A0	X	60A0	477	111	140	190	17	4	234	283	25	124	240	254	221		
MVE 2400/15D-60A0	MVE 2400/18D-60A0	X	60A0	521	133	140	190	17	4	234	283	25	124	240	254	221		
MVE 2500/15D-70A0	MVE 2500/18D-70A0	Y	70A0	525	123	155	225	22	4	274	311	32	140	256	279	235		
MVE 3000/15D-70A0	MVE 3000/18D-70A0	Y	70A0	586	153	155	225	22	4	274	311	32	140	256	279	235		
MVE 3800/15D-75A0	MVE 3800/18D-75A0	Y	75A0	596	146	155	255	23.5	4	302	330	30	150	280	304	265		
MVE 3811/15D-75A0	MVE 3811/18D-75A0	Y	75A0	596	146	155	255	23.5	4	302	330	30	150	280	304	265		
MVE 4300/15D-75A0	MVE 4300/18D-75A0	Y	75A0	616	156	155	255	23.5	4	302	330	30	150	280	304	265		
MVE 5500/15D-80A0	MVE 5500/18D-80A0	Y	80A0	612	127	180	280	26	4	330	379	33	176	330	358	310		

**Notes:**

.....

.....

.....

.....

NOTE: Dimensions with coarse degree of accuracy related to UNI 22768/1

This information is provided without warranty, representation, inducement or licence of any kind. It is accurate to the best OLI knowledge or is obtained from sources believed to be accurate. OLI therefore assumes no legal responsibility.



- » Class I, Div.1 Group C, D T3 IP66
- » Conform to UL 1004-1, UL 674, CSA 22.2 60079-0, CSA 22.2 60079-31, CSA 22.2 100, , CSA 22.2 60079-1

STANDARD

INCREASED SAFETY

EXPLOSION-PROOF

MILLING

SCREEN VIBRATOR

STAINLESS STEEL

## 6 POLES - 1000/1200 rpm

Wm (kgcm)		Model		Centrifugal Force (kg)		Weight (kg)	
				50Hz	60Hz	50Hz	60Hz
50Hz	60Hz	50Hz	60Hz	50Hz	60Hz	50Hz	60Hz
91.9		MVE 500/1D-50A0	MVE 500/12D-50A0	513	739	54	
137.4	108.6	MVE 800/1D-60A0	MVE 800/12D-60A0	767	873	73	71
187.7	137.3	MVE 1100/1D-60A0	MVE 1100/12D-60A0	1,048	1,104	80	74
284.8	196.5	MVE 1500/1D-60A0	MVE 1500/12D-60A0	1,590	1,580	94	83
299.6	203.5	MVE 1600/1D-70A0	MVE 1600/12D-70A0	1,673	1,636	109	99
373.1	248.7	MVE 2100/1D-70A0	MVE 2100/12D-70A0	2,083	2,000	121	107
467.4	306.7	MVE 2600/1D-75A0	MVE 2600/12D-75A0	2,610	2,466	153	136
540.3	379.7	MVE 3000/1D-75A0	MVE 3000/12D-75A0	3,017	3,053	161	135
680.4	437.4	MVE 3800/1D-80A0	MVE 3800/12D-80A0	3,799	3,517	215	196
838.3	584.2	MVE 4700/1D-80A0	MVE 4700/12D-80A0	4,681	4,697	231	212

ELECTRICAL SPECIFICATIONS									
Input Power (kW)		Nominal Current A max. (Y)		Ia/In		Cable Gland			
50Hz	60Hz	50Hz (400V)	60Hz (460V)	50Hz	60Hz	Metric			
0.30	0.32	1.10	1.05	2.8	2.7	3/4" NPT 110 °C			
0.57	0.68	1.14	1.21	3.2	3.1	3/4" NPT 110 °C			
0.56	0.58	1.40	1.30	3.2	3.1	3/4" NPT 110 °C			
0.80	0.90	1.60	1.70	3.3	3.3	3/4" NPT 110 °C			
1.00	1.13	2.50	2.72	3.7	3.6	3/4" NPT 110 °C			
1.20	1.35	2.80	3.00	4.3	4.4	3/4" NPT 110 °C			
1.50	1.60	3.50	3.30	4.8	4.8	3/4" NPT 110 °C			
1.75	1.90	4.30	4.00	5.0	5.0	3/4" NPT 110 °C			
2.10	2.30	5.00	4.80	5.9	6.0	3/4" NPT 110 °C			
2.50	2.80	6.20	6.00	5.5	5.7	3/4" NPT 110 °C			

## 8 POLES - 750/900 rpm

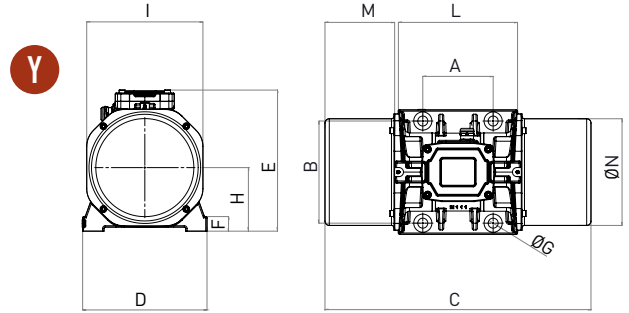
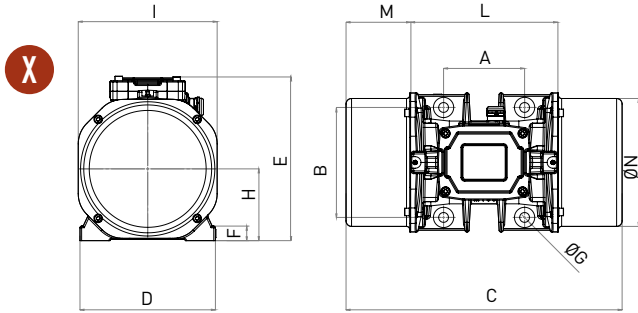
Wm (kgcm)		Model		Centrifugal Force (kg)		Weight (kg)
				50Hz	60Hz	50Hz-60Hz
50Hz	60Hz	50Hz	60Hz	50Hz-60Hz	50Hz	60Hz
56.9		MVE 250/075D-50A0	MVE 250/090D-50A0	179	257	47
84.0		MVE 400/075D-50A0	MVE 400/090D-50A0	264	380	54
137.3		MVE 650/075D-60A0	MVE 650/090D-60A0	431	621	73
187.7		MVE 900/075D-60A0	MVE 900/090D-60A0	589	849	82
299.6		MVE 1300/075D-70A0	MVE 1300/090D-70A0	941	1,355	109
467.4		MVE 2100/075D-75A0	MVE 2100/090D-75A0	1,468	2,114	153
680.3		MVE 3100/075D-80A0	MVE 3100/090D-80A0	2,137	3,077	214
838.4		MVE 3800/075D-80A0	MVE 3800/090D-80A0	2,633	3,792	230

ELECTRICAL SPECIFICATIONS									
Input Power (kW)		Nominal Current A max. (Y)		Ia/In		Cable Gland			
50Hz	60Hz	50Hz (400V)	60Hz (460V)	50Hz	60Hz	Metric			
0.35	0.38	1.15	1.15	1.7	1.7	3/4" NPT 110 °C			
0.35	0.38	1.15	1.15	1.9	1.9	3/4" NPT 110 °C			
0.43	0.50	1.12	1.10	2.2	2.2	3/4" NPT 110 °C			
0.55	0.60	1.40	1.20	2.5	2.5	3/4" NPT 110 °C			
0.80	0.80	2.20	2.10	3.0	3.0	3/4" NPT 110 °C			
1.25	1.30	3.20	2.80	4.2	4.1	3/4" NPT 110 °C			
1.50	1.80	3.80	3.80	4.0	4.0	3/4" NPT 110 °C			
2.50	3.20	5.50	5.70	3.9	4.0	3/4" NPT 110 °C			

SIZE 60A0



To convert kg into Newton:  $N = 9.81 \cdot kg$



Model		Drawing	Size	DIMENSIONAL SPECIFICATIONS (MM)														
50Hz	60Hz			C		M		A	B	Ø G	Holes	D	E	F	H	I	L	N
				50Hz	60Hz	50Hz	60Hz				n°							
MVE 500/1D-50A0	MVE 500/12D-50A0	X	50A0	466	130	120	170	17	4	209	251	27	103	185	205	165		
MVE 800/1D-60A0	MVE 800/12D-60A0	X	60A0	477	111	140	190	17	4	234	283	25	124	240	254	221		
MVE 1100/1D-60A0	MVE 1100/12D-60A0	X	60A0	521	133	140	190	17	4	234	283	25	124	240	254	221		
MVE 1500/1D-60A0	MVE 1500/12D-60A0	X	60A0	597	171	140	190	17	4	234	283	25	124	240	254	221		
MVE 1600/1D-70A0	MVE 1600/12D-70A0	Y	70A0	586	153	155	225	22	4	274	311	32	140	256	279	235		
MVE 2100/1D-70A0	MVE 2100/12D-70A0	Y	70A0	646	183	155	225	22	4	274	311	32	140	256	279	235		
MVE 2600/1D-75A0	MVE 2600/12D-75A0	Y	75A0	724	210	155	255	23.5	4	302	330	30	150	280	304	264		
MVE 3000/1D-75A0	MVE 3000/12D-75A0	Y	75A0	724	210	155	255	23.5	4	302	330	30	150	280	304	264		
MVE 3800/1D-80A0	MVE 3800/12D-80A0	Y	80A0	692	167	180	280	26	4	330	379	33	176	330	358	310		
MVE 4700/1D-80A0	MVE 4700/12D-80A0	Y	80A0	744	193	180	280	26	4	330	379	33	176	330	358	310		

Model		Drawing	Size	DIMENSIONAL SPECIFICATIONS (MM)														
50Hz	60Hz			C		M		A	B	Ø G	Holes	D	E	F	H	I	L	N
				50Hz-60Hz	50Hz-60Hz	n°												
MVE 250/075D-50A0	MVE 250/090D-50A0	X	50A0	396	95	120	170	17	4	209	251	27	103	185	205	165		
MVE 400/075D-50A0	MVE 400/090D-50A0	X	50A0	466	130	120	170	17	4	209	251	27	103	185	205	165		
MVE 650/075D-60A0	MVE 650/090D-60A0	X	60A0	477	111	140	190	17	4	234	283	25	124	240	254	221		
MVE 900/075D-60A0	MVE 900/090D-60A0	X	60A0	521	133	140	190	17	4	234	283	25	124	240	254	221		
MVE 1300/075D-70A0	MVE 1300/090D-70A0	Y	70A0	586	153	155	225	22	4	274	311	32	140	256	279	235		
MVE 2100/075D-75A0	MVE 2100/090D-75A0	Y	75A0	724	210	155	255	23.5	4	302	330	30	150	280	304	264		
MVE 3100/075D-80A0	MVE 3100/090D-80A0	Y	80A0	692	167	180	280	26	4	330	379	33	176	330	358	310		
MVE 3800/075D-80A0	MVE 3800/090D-80A0	Y	80A0	744	193	180	280	26	4	330	379	33	176	330	358	310		

Notes:

.....

.....

.....

.....

NOTE: Dimensions with coarse degree of accuracy related to UNI 22768/1

This information is provided without warranty, representation, inducement or licence of any kind. It is accurate to the best OLI knowledge or is obtained from sources believed to be accurate. OLI therefore assumes no legal responsibility.



- » Class I, Div.1 Group C, D T3 IP66
- » Conform to UL 1004-1, UL 674, CSA 22.2 60079-0, CSA 22.2 60079-31, CSA 22.2 100, , CSA 22.2 60079-1

STANDARD

INCREASED SAFETY

EXPLOSION-PROOF

MILLING

SCREEN VIBRATOR

STAINLESS STEEL